

SUBMITTAL: CAST IRON HUB & SPIGOT SOIL PIPE & FITTING SUBMITTAL

UPDATED: NOVEMBER 22, 2021



SUBMITTAL: CAST IRON HUB & SPIGOT SOIL PIPE & FITTING SUBMITTAL

Welcome to the NewAge

12630 West Airport Blvd., Suite 100 • Sugar Land, Texas 77478 • Phone: 281.565.0928 • Fax: 281.565.0929 • Toll Free: 1-866.791.7055 • E-Mail: info@newagecasting.com

TABLE OF CONTENTS

Description	Page
Hub & Spigot Soil Pipe & Fittings Standards & Certifications	3
Standards Certification.....	4
Reference Standards.....	5
UPC A 74 Certification	6
ICC A 74 Certification	7
UL Annex A1 Certification.....	8
Dimensional Details.....	9-13
General Terms and Conditions	14



SUBMITTAL: CAST IRON HUB & SPIGOT SOIL PIPE & FITTING SUBMITTAL

Welcome to the NewAge

12630 West Airport Blvd., Suite 100 • Sugar Land, Texas 77478 • Phone: 281.565.0928 • Fax: 281.565.0929 • Toll Free: 1-866.791.7055 • E-Mail: info@newagecasting.com

Date: _____ Engineer: _____ Job Name: _____

Contractor: _____ Location: _____

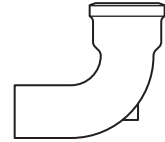
HUB & SPIGOT SOIL PIPE & FITTINGS STANDARDS & CERTIFICATIONS

- Certified to conform with ASTM A74 complying with Annex A1, most recent revision, Standard Specification for Cast Iron Soil Pipe and Fittings
- NewAge Casting Service Weight joints are joined by lead and oakum or compression gasket which conform to ASTM C564
- Foundries are ISO 9001 Certified
- NewAge Soil Pipe Products Cast Iron Soil Pipe and Fittings are certified by UPC, ICC-ES-PMG, and UL

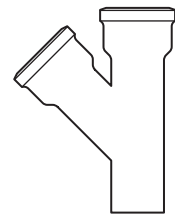
	LISTED AND CERTIFIED BY:		
	✓	✓	✓

Product installation shall conform to the standard industry practices, and all applicable plumbing, fire and building code requirements. Following installation, it is recommended that the system be hydrostatically tested to ten feet of head or 4.3 PSI.

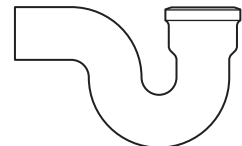
NOMINAL SIZE	INSIDE DIA HUB		B	C	J	T-NOM	T-MIN	Y			
	A	B	B	C	J	T-NOM	T-MIN	Y			
2	2.94	±0.06	1.96	±0.09	3.62	2.30	±0.09	0.17	0.14	2.50	±0.06
3	3.94	±0.09 ±0.06	2.96	±0.09	4.68	3.30	±0.09	0.17	0.14	2.75	±0.06
4	4.94	±0.09 ±0.06	3.94	±0.09	5.68	4.30	±0.09	0.18	0.15	3.00	±0.06
5	5.94	±0.09 ±0.06	4.94	±0.09	6.68	5.30	±0.09	0.18	0.15	3.00	±0.06
6	6.94	±0.09 ±0.06	5.94	±0.09	7.68	6.30	±0.09	0.18	0.15	3.00	±0.06
8	9.25	±0.13	7.94	±0.13	10.13	8.38	±0.13	0.23	0.17	3.50	±0.13
10	11.38	±0.13	9.94	±0.13	12.44	10.50	±0.13	0.28	0.22	3.50	±0.13
12	13.50	±0.13	11.94	±0.19	14.56	12.50	±0.19	0.28	0.22	4.25	±0.19
15	16.95	±0.13	15.16	±0.19	18.11	15.88	±0.19	0.36	0.30	4.25	±0.19



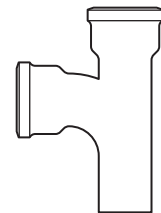
Short Sweep Bend 90°



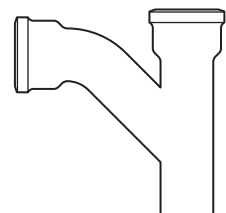
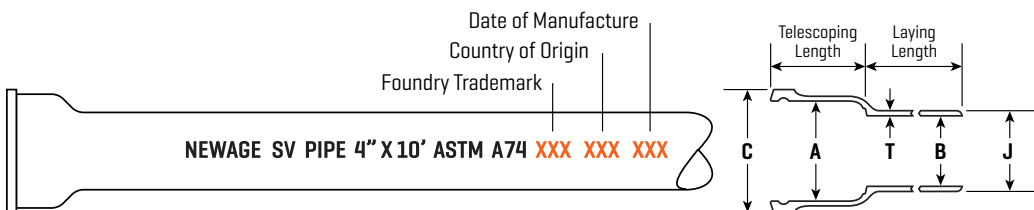
Wye



P-Trap



Sanitary Tee



Combination Wye & 1/8 Bend



SUBMITTAL: CAST IRON HUB & SPIGOT SOIL PIPE & FITTING SUBMITTAL

Welcome to the NewAge

12630 West Airport Blvd., Suite 100 • Sugar Land, Texas 77478 • Phone: 281.565.0928 • Fax: 281.565.0929 • Toll Free: 1-866.791.7055 • E-Mail: info@newagecasting.com

STANDARDS CERTIFICATION

January 29, 2021

This is to certify that all Cast Iron Pipe, Fittings and Couplings sold by New Age Casting Company, meets, or exceeds all applicable standards listed below including the Annex A I:

NO-HUB PIPE AND FITTINGS

All cast iron pipe and fittings are available in traditional bituminous asphalt and our premium New Age Epoxy Coating for corrosion resistance.

ASTM A888

CISPI 301

- Listed by UPC
- Listed by ICC
- Listed by UL

SERVICE HUB AND SPIGOT PIPE AND FITTINGS

All cast iron pipe and fittings are available in traditional bituminous asphalt and our premium New Age Epoxy Coating for corrosion resistance.

ASTM A 74

- Listed by UPC
- Listed by ICC

NO-HUB STANDARD COUPLINGS

CISPI 310

ASTM C 1277

- Listed by UPC

NO-HUB J-IEA VY DUTY (HDC) COUPLINGS

ASTM C 1540

- Listed by UPC

NO-HUB EXTRA HEAVY DUTY (XI-ID) COUPLINGS

ASTM C 1540

- Listed by UPC

SERVICE WEIGHT GASKETS

ASTM C 564

ASTM C 1563

- Listed by UPC

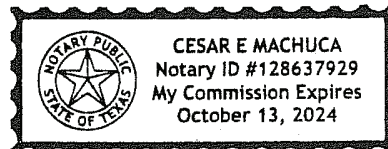
If there are any questions concerning this information or if copies of the certification documentation are needed, please contact your New Age Casting representative or your New Age Casting regional manager.

Sincerely,

Terry Muldowney
Technical Manager
NewAge Casting Company

1/29/2021

Notary Public





SUBMITTAL: CAST IRON HUB & SPIGOT SOIL PIPE & FITTING SUBMITTAL

Welcome to the NewAge

12630 West Airport Blvd., Suite 100 • Sugar Land, Texas 77478 • Phone: 281.565.0928 • Fax: 281.565.0929 • Toll Free: 1-866.791.7055 • E-Mail: info@newagecasting.com

REFERENCE STANDARDS

American Society for Testing and Materials

ASTM	Description
A 74	Standard Specification for Cast Iron Soil Pipe and Fittings
SCOPE:	This specification covers cast iron soil pipe and for use in gravity flow plumbing, drain, waste and vent sanitary, and storm water applications. This pipe and fittings are not intended for pressure applications as the selection of the proper size for sanitary drain, waste, vent, and storm drain systems allows free air space for gravity drainage.
A 888	Standard Specification for No Hub Cast Iron Soil Pipe and Fittings for Sanitary and Storm Drain, Waste, and Vent Piping Applications
SCOPE:	This specification covers no hub cast iron soil pipe and fittings for use in gravity flow applications. This pipe and fittings are intended for non-pressure applications, as the selection of the proper size for sanitary drain, waste, vent, and storm drain systems allows free air space for gravity drainage.
C 564	Standard Specification for Rubber Gaskets for Cast Iron Soil Pipe and Fittings
SCOPE:	This specification covers preformed rubber gaskets used to seal joints in cast iron soil pipe and fittings.
C 1277	Standard Specification for Shielded Couplings Joining No Hub Cast Iron Soil Pipe and Fittings
SCOPE:	It is the purpose of this specification to furnish information as to the characteristics of a sleeve type couplings when applied to cast iron soil pipe and fittings.
C 1540	Standard Specification for Heavy Duty Shielded Couplings Joining No Hub Cast Iron Soil Pipe and Fittings
SCOPE:	This specification covers the evaluating of the performance of heavy duty shielded couplings to join no hub cast iron soil pipe and fittings.

Cast Iron Soil Pipe Institute

CISPI	Description
301	STANDARD SPECIFICATION FOR NO HUB CAST IRON SOIL PIPE AND FITTINGS FOR SANITARY AND STORM DRAIN, WASTE, AND VENT PIPING APPLICATIONS
SCOPE:	Identical to the ASTM A 888
310	SPECIFICATION FOR COUPLING FOR USE IN CONNECTION WITH NO HUB CAST IRON SOIL PIPE AND FITTINGS FOR SANITARY AND STORM DRAIN, WASTE, AND VENT PIPING APPLICATIONS.
Scope:	Identical to the ASTM C 1277



SUBMITTAL: CAST IRON HUB & SPIGOT SOIL PIPE & FITTING SUBMITTAL

Welcome to the NewAge

12630 West Airport Blvd., Suite 100 • Sugar Land, Texas 77478 • Phone: 281.565.0928 • Fax: 281.565.0929 • Toll Free: 1-866.791.7055 • E-Mail: info@newagecasting.com

UPC A 74 CERTIFICATION

IAPMO RESEARCH AND TESTING, INC.

5001 E. Philadelphia Street, Ontario, CA 91761-2816 • (909) 472-4100 • Fax (909) 472-4244 • www.iapmort.org



IAPMO R&T Product Listing



This IAPMO R&T Listing is current as of 11/25/2019

Product: Cast Iron Soil Pipe and Fittings File No. 6336

Issued To: NEW AGE CASTING COMPANY
12630 WEST AIRPORT BOULEVARD
SUITE 100
SUGAR LAND, TX 77478

Identification: Each length of pipe and each fitting shall be plainly marked with the country of the origin, the manufacturer's initials or registered trademark by which the manufacturer can be readily identified after installation, and with letters to indicate the proper classification, as follows: XH Extra Heavy SV Service. The marking shall be cast, stenciled, or otherwise applied on the pipe so as to clear and legible after installation. The marking shall be cast in raised letters on fittings and shall be clear and legible after installation and located away from the spigot end so as not to interfere with proper joining upon installation. Each pipe shall be marked with the date of manufacturer. Pipe and fittings shall also bear the UPC® certification mark.

Characteristics: Cast iron soil pipe and fittings for use in gravity flow applications. These pipe and fittings are not intended for pressure applications as the selection of the proper size for drain, waste, vent and storm drain systems allow free air space for gravity drainage. To be installed in accordance with the manufacturer's installation instruction and the requirement of the latest edition of the Uniform Plumbing Code.

Products listed on this certificate have been tested by an IAPMO R&T recognized laboratory. This recognition has been granted based upon the laboratory's compliance to the applicable requirements of ISO/IEC 17025.

Products are in compliance with the following code(s):

Uniform Plumbing Code (UPC®)
International Plumbing Code (IPC®)

Products are in compliance with the following standard(s):

ASTM A74-2017 (excluding Annex A1)

MODELS:

Model No.	Description
2" x 2.5'	double hub pipe
4" x 2.5'	double hub pipe
2" x 5'	single hub pipe
3" x 5'	single hub pipe
4" x 5'	single hub pipe
5" x 5'	single hub pipe
6" x 5'	single hub pipe
8" x 5'	single hub pipe
2" x 5'	double hub pipe
3" x 5'	double hub pipe
4" x 5'	double hub pipe
2" x 10'	single hub pipe



SUBMITTAL: CAST IRON HUB & SPIGOT SOIL PIPE & FITTING SUBMITTAL

Welcome to the NewAge

12630 West Airport Blvd., Suite 100 • Sugar Land, Texas 77478 • Phone: 281.565.0928 • Fax: 281.565.0929 • Toll Free: 1-866.791.7055 • E-Mail: info@newagecasting.com

ICC A 74 CERTIFICATION



ICC-ES PMG Product Certificate

PMG-1219



Effective Date: November 2020

This listing is subject to re-examination in one year.

www.icc-es-pmg.org | (800) 423-6587 | (562) 699-0543 A Subsidiary of the International Code Council®

CSI: DIVISION: 22 00 00 – PLUMBING
Section: 22 13 16 – Sanitary Waste and Vent Piping
Section: 22 14 13 – Facility Storm Drainage Piping

Product certification system:

The ICC-ES product certification system includes testing samples taken from the market or suppliers stock, or a combination of both, to verify compliance with applicable codes and standards. The system also involves factory inspections, and assessment and surveillance of the supplier's quality system.

Product: Cast Iron Soil Pipe and Fittings

Listee: NewAge Casting Co.
12630 West Airport Blvd, Suite 100
Sugar Land, Texas 77478
www.newagecasting.com

Compliance with the following codes:

2021, 2018, 2015, 2012 and 2009 *International Plumbing Code® (IPC)*
2018, 2015, 2012 and 2009 *International Residential Code® (IRC)*
2021, 2018, 2015, 2012 and 2009 *Uniform Plumbing Code® (UPC)**

**Copyrighted publication of the International Association of the Plumbing and Mechanical Officials*

Compliance with the following standards:

ASTM A74-2020 (excluding Annex A1), Standard Specification for Cast Iron Soil Pipe and Fittings

Identification:

Each length of pipe and each fitting shall be plainly marked with the country of origin, the manufacturer's name or the manufacturer's registered trademark by which the manufacturer can be readily identified after installation, any appropriate collective mark (optional) as well as the ICC-ES PMG certification mark. The marking shall be adequate identification of the manufacturer of the pipe and fittings if it readily identifies the manufacturer to the end user of the product. Each length of pipe and each fitting shall be plainly marked with letters to indicate the proper classification, as follows:

XH	Extra Heavy
SV	Service

The marking shall be cast, stenciled, or otherwise applied on the pipe so as to be clear and legible after installation. The marking shall be cast with raised letters on fittings and shall be clear and legible after installation and located away from the spigot end so as not to interfere with proper joining upon installation.

Listings are not to be construed as representing aesthetics or any other attributes not specifically addressed, nor are they to be construed as an endorsement of the subject of the listing or a recommendation for its use. There is no warranty by ICC Evaluation Service, LLC, express or implied, as to any finding or other matter in this listing, or as to any product covered by the listing.

Copyright © 2020 ICC Evaluation Service, LLC. All rights reserved.



Page 1 of 7



SUBMITTAL: CAST IRON HUB & SPIGOT SOIL PIPE & FITTING SUBMITTAL

Welcome to the NewAge

12630 West Airport Blvd., Suite 100 • Sugar Land, Texas 77478 • Phone: 281.565.0928 • Fax: 281.565.0929 • Toll Free: 1-866.791.7055 • E-Mail: info@newagecasting.com

UL ANNEX A1 CERTIFICATION

CERTIFICATE OF COMPLIANCE

Certificate Number 20180502-MH62513
Report Reference MH62513-20171207
Issue Date 2018-May-02

Issued to: NewAge Casting, LP
12630 West Airport Blvd
Suite 100
Sugar Land TX 77478

This is to certify that representative samples of SOIL PIPE AND FITTINGS, CAST-IRON
See Addendum Page

Have been investigated by UL in accordance with the Standard(s) indicated on this Certificate.

Standard(s) for Safety: ASTM A888, Standard Specification for Hubless Cast Iron Soil Pipe and Fittings for Sanitary and Storm Drain, Waste, and Vent Piping Applications, including Annex A1
CISPI 301, Standard Specification for Hubless Cast Iron Soil Pipe and Fittings for Sanitary and Storm Drain, Waste, and Vent Piping Applications, including Annex A1

Additional Information: See the UL Online Certifications Directory at www.ul.com/database for additional information

Only those products bearing the UL Certification Mark should be considered as being covered by UL's Certification and Follow-Up Service.

Look for the UL Certification Mark on the product.


Bruce Mahrenholz, Director North American Certification Program
UL LLC

Any information and documentation involving UL Mark services are provided on behalf of UL LLC (UL) or any authorized licensee of UL. For questions, please contact a local UL Customer Service Representative at <http://ul.com/about/locations/>

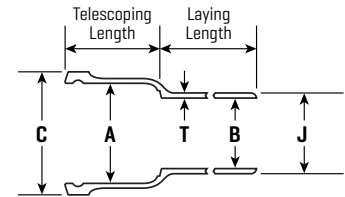
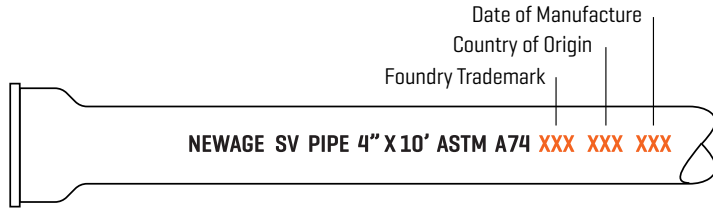




SUBMITTAL: CAST IRON HUB & SPIGOT SOIL PIPE & FITTING SUBMITTAL

Welcome to the NewAge

12630 West Airport Blvd., Suite 100 • Sugar Land, Texas 77478 • Phone: 281.565.0928 • Fax: 281.565.0929 • Toll Free: 1-866.791.7055 • E-Mail: info@newagecasting.com



SINGLE HUB - 3.5 FOOT PIPE

PART#	SIZE	PIECES PER BUNDLE	WEIGHT
SVP02S35	2 X 3.5	56	15.00
SVP03S35	3 X 3.5	40	23.00
SVP04S35	4 X 3.5	27	30.00
SVP05S35	5 X 3.5	21	39.00
SVP06S35	6 X 3.5	18	45.00
SVP08S35	8 X 3.5	10	72.00
SVP10S35	10 X 3.5	6	106.00
SVP12S35	12 X 3.5	6	135.00
SVP15S35	15 X 3.5	2	184.00

SINGLE HUB - 10 FOOT PIPE

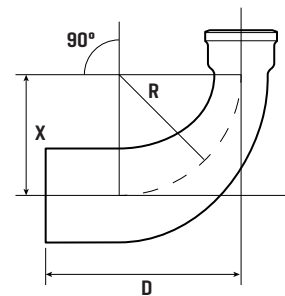
PART#	SIZE	PIECES PER BUNDLE	WEIGHT
SVP02S10	2 X 10	64	35.00
SVP03S10	3 X 10	33	52.00
SVP04S10	4 X 10	27	76.00
SVP05S10	5 X 10	21	97.00
SVP06S10	6 X 10	18	128.00
SVP08S10	8 X 10	10	190.00
SVP10S10	10 X 10	6	270.00
SVP12S10	12 X 10	6	325.00
SVP15S10	15 X 10	2	465.00

SINGLE HUB - 5 FOOT PIPE

PART#	SIZE	PIECES PER BUNDLE	WEIGHT
SVP02S05	2 X 5	64	22.48
SVP03S05	3 X 5	33	31.93
SVP04S05	4 X 5	27	44.80
SVP05S05	5 X 5	21	57.60
SVP06S05	6 X 5	18	69.16
SVP08S05	8 X 5	10	101.01
SVP10S05	10 X 5	6	150.87
SVP12S05	12 X 5	6	185.72
SVP15S05	15 X 5	2	287.48

DOUBLE HUB - 2.5 FOOT PIPE

PART#	SIZE	PIECES PER BUNDLE	WEIGHT
SVP02S25	2 X 2.5	60	22.00
SVP03S25	3 X 2.5	TBA	31.93
SVP04S25	4 X 2.5	27	44.80



REDUCING 1/4 BEND

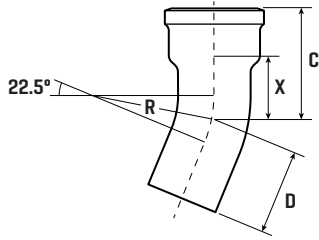
PART#	SIZE	D	R	X
SVF04B42	4 x 2	7	3-1/4	3-3/4



SUBMITTAL: CAST IRON HUB & SPIGOT SOIL PIPE & FITTING SUBMITTAL

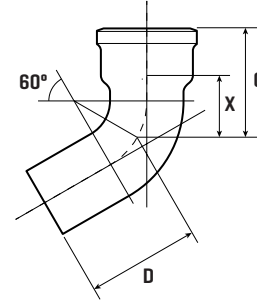
Welcome to the NewAge

12630 West Airport Blvd., Suite 100 • Sugar Land, Texas 77478 • Phone: 281.565.0928 • Fax: 281.565.0929 • Toll Free: 1-866.791.7055 • E-Mail: info@newagecasting.com



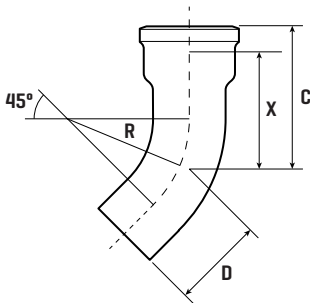
1/16 BEND - 22.5°

PART#	SIZE	C	D	R	X
SVF16B20	2	3-3/8	3-5/8	3	7/8
SVF16B30	3	3-15/16	4-3/16	3-1/2	1-3/16
SVF16B40	4	4-5/16	4-13/16	4	1-5/16
SVF16B50	5	4-3/8	4-7/8	4-1/2	1-3/8
SVF16B60	6	4-1/2	5	5	1-1/2
SVF16B80	8	5-5/16	6-11/16	6	1-13/16
SVF16B100	10	5-1/2	6-7/8	7	2
SVF16B120	12	6-5/8	8-5/8	8	2-3/8
SVF16B150	15	6-7/8	8-7/8	9-1/2	2-5/8



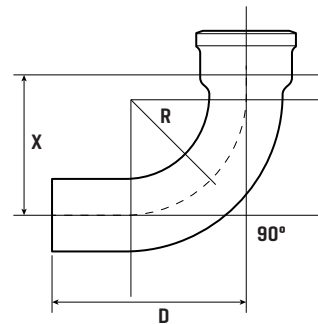
1/6 BEND - 60°

PART#	SIZE	B	D	R	X
SVF06B20	2	4-1/2	4-3/4	3	2
SVF06B30	3	5-1/4	5-1/2	3-1/2	2-1/2
SVF06B40	4	5-13/16	6-5/16	4	2-13/16
SVF06B50	5	6-1/8	6-5/8	4-1/2	3-1/8
SVF06B60	6	6-3/8	6-7/8	5	3-3/8
SVF06B80	8	7-5/8	9	6	4-1/8
SVF06B100	10	8-3/16	9-9/16	7	4-11/16



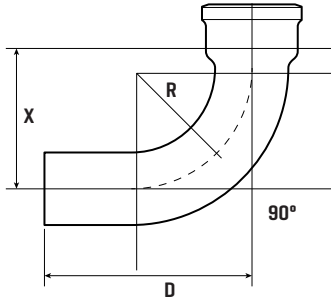
1/8 BEND - 45°

PART#	SIZE	C	D	R	X
SVF08B20	2	4	4-1/4	3	1-1/2
SVF08B30	3	4-1/16	4-15/16	3-1/2	1-15/16
SVF08B40	4	5-3/16	5-11/16	4	2-3/16
SVF08B50	5	5-3/8	5-7/8	4-1/2	2-3/8
SVF08B60	6	5-9/16	6-1/16	5	2-9/16
SVF08B80	8	6-5/8	8	6	3-1/8
SVF08B100	10	7	8-3/8	7	3-1/2
SVF08B120	12	8-5/16	10-5/16	8	4-1/16
SVF08B150	15	8-15/16	10-15/16	9-1/2	4-11/16



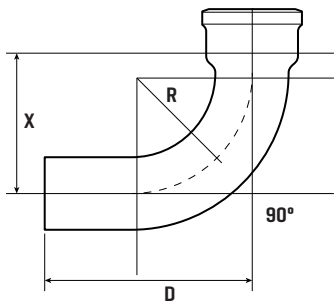
1/4 BEND - 90°

PART#	SIZE	D	R	X
SVF04B20	2	6	3	3-1/4
SVF04B30	3	7	3-1/2	4
SVF04B40	4	8	4	4-1/2
SVF04B50	5	8-1/2	4-1/2	5
SVF04B60	6	9	5	5-1/2
SVF04B80	8	11-1/2	6	6-5/8
SVF04B100	10	12-1/2	7	7-5/8
SVF04B120	12	15	8	8-3/4
SVF04B150	15	16-1/2	9-1/2	10-1/4



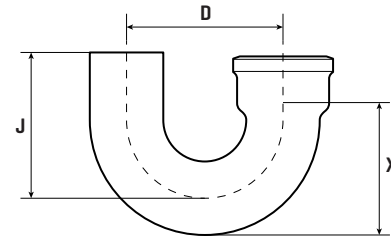
SHORT SWEEP 1/4 BEND - 90°

PART#	SIZE	D	R	X
SVFSSB20	2	8	5	5-1/4
SVFSSB30	3	9	5-1/2	6
SVFSSB40	4	10	6	6-1/2
SVFSSB50	5	10-1/2	6-1/2	7
SVFSSB60	6	11	7	7-1/2
SVFSSB80	8	13-1/2	8	8-5/8
SVFSSB100	10	14-1/2	9	9-5/8
SVFSSB120	12	17	10	10-3/4



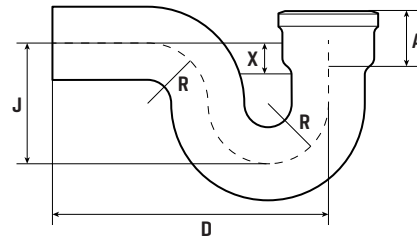
LONG SWEEP (1/4 BEND) - 90°

PART#	SIZE	D	R	X
SVFLSB20	2	11	8	8-1/4
SVFLSB30	3	12	8-1/2	9
SVFLSB40	4	13	9	9-1/2
SVFLSB50	5	13-1/2	9-1/2	10
SVFLSB60	6	14	10	10-1/2
SVFLSB80	8	16-1/2	11	11-5/8
SVFLSB100	10	17-1/2	12	12-5/8
SVFLSB120	12	20	13	13-3/4
SVFLSB150	15	21-1/2	14-1/2	15-1/4



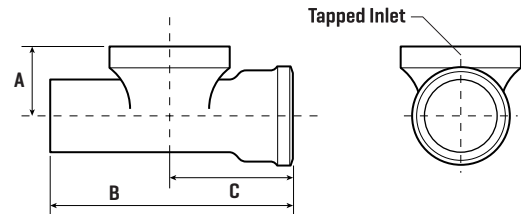
SINGLE HUB RETURN BEND

PART#	SIZE	D	J	X
SVFRBD03	3	7	7	6
SVFRBD04	4	7-1/2	7-13/16	6-3/8



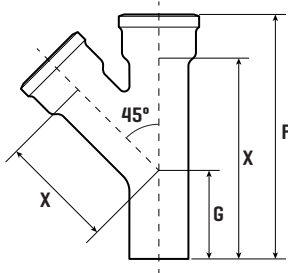
P-TRAP

PART#	SIZE	A	D	J	X
SVFPTP020	2	3	9-1/2	4	1-1/2
SVFPTP030	3	4-1/2	12	5-1/2	1-1/4
SVFPTP040	4	5-1/2	14	6-1/2	1
SVFPTP050	5	6-1/2	15-1/2	7-1/2	1/2
SVFPTP060	6	7-1/2	17	8-1/2	0
SVFPTP080	8	10-1/2	22-1/16	11	1/2
SVFPTP100	10	13	25	14-3/8	1/2



TEST TEE

PART#	SIZE	A	B	C	TAP
SVFTTE20	2	2	10-3/8	4-1/4	2
SVFTTE30	3	2-11/16	12-3/4	5-1/2	3
SVFTTE40	4	3	13-7/8	6	4
SVFTTE50	5	4-1/2	15	7-1/8	5
SVFTTE60	6	5	16	7-1/8	6
SVFTTE80	8	6	20-1/2	9-1/2	8
SVFTTE100	10	6-1/2	20-1/2	9-7/8	10

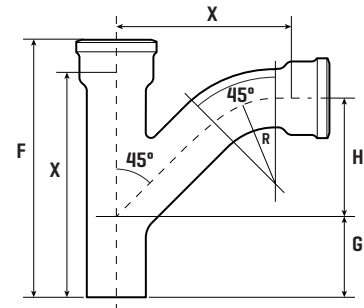


WYE

PART#	SIZE	F	G	X	X*
SVFWYE20	2	10-1/2	4	8	4
SVFWYE32	3 x 2	11-3/4	4-3/16	9	5
SVFWYE30	3	13-1/4	5	10-1/2	5-1/2
SVFWYE42	4 x 2	12	3-5/8	9	5-3/4
SVFWYE43	4 x 3	13-1/2	4-7/8	10-1/2	6-1/4
SVFWYE40	4	15	5-1/4	12	6-3/4
SVFWYE52	5 x 2	12	3-1/8	9	6-1/2
SVFWYE53	5 x 3	13-1/2	3-7/8	10-1/2	7
SVFWYE54	5 x 4	15	4-11/16	12	7-1/2
SVFWYE50	5	16-1/2	5-1/2	13-1/2	8
SVFWYE62	6 x 2	12	2-9/16	9	7-1/4
SVFWYE63	6 x 3	13-1/2	3-3/8	10-1/2	7-3/4
SVFWYE64	6 x 4	15	4-3/16	12	8-1/4
SVFWYE65	6 x 5	16-1/2	4-15/16	13-1/2	8-3/4
SVFWYE60	6	18	5-3/4	15	9-1/4
SVFWYE82	8 x 2	14	3-1/8	10-1/2	8-1/2
SVFWYE83	8 x 3	15-1/2	3-15/16	12	9
SVFWYE84	8 x 4	17	4-3/4	13-1/2	9-1/2
SVFWYE85	8 x 5	18-1/2	5-1/2	15	10
SVFWYE86	8 x 6	20	6-5/16	16-1/2	10-1/2
SVFWYE80	8	23	7-11/16	19-1/2	11-13/16
SVFWYE103	10 x 3	15-1/2	2-3/4	12	10-3/4
SVFWYE104	10 x 4	17	3-9/16	13-1/2	11-1/8
SVFWYE105	10 x 5	18-1/2	4-5/16	15	11-5/8
SVFWYE106	10 x 6	20	5-1/8	16-1/2	12-1/8
SVFWYE108	10 x 8	23	6-1/2	19-1/2	13-7/8
SVFWYE100	10	26	8	22-1/2	14-1/2
SVFWYE124	12 x 4	19-1/4	4-1/8	15	12-7/16
SVFWYE125	12 x 5	20-3/4	4-7/8	16-1/2	12-15/16
SVFWYE126	12 x 6	22-1/4	5-11/16	18	13-7/16
SVFWYE128	12 x 8	25-1/4	7-1/16	21	14-3/4

WYE (continued)

PART#	SIZE	F	G	X	X*
SVFWYE1210	12 x 10	28-1/4	8-9/16	24	15-13/16
SVFWYE1200	12	31-1/4	10-1/8	27	16-7/8
SVFWYE1540	15 x 4	19-1/2	2-1/2	15-1/4	15
SVFWYE1560	15 x 6	22-1/4	4	18	15-3/4
SVFWYE1580	15 x 8	25-1/4	5-3/8	21	17-1/16
SVFWYE1510	15 x 10	28-1/4	6-7/8	24	18-1/8
SVFWYE1512	15 x 12	31-1/4	8-7/16	27	19-3/16
SVFWYE1500	15	35-3/4	10-3/4	31-1/2	20-3/4



COMBINATION WYE AND 1/8 BEND

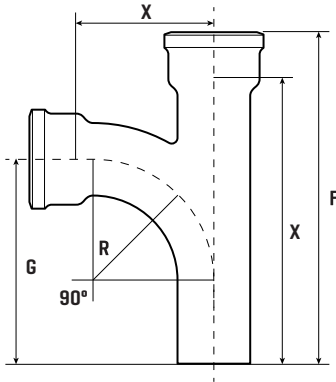
PART#	SIZE	F	G	H	R	X	X*
SVFCOM20	2	10-1/2	4	3-3/8	3	8	4-7/8
SVFCOM32	3 x 2	11-3/4	4-3/16	4	3	9	5-3/4
SVFCOM30	3	13-1/4	5	5-1/16	3-1/2	10-1/2	7
SVFCOM42	4 x 2	12	3-11/16	4-1/2	3	9	6-1/4
SVFCOM43	4 x 3	13-1/2	4-1/2	5-9/16	3-1/2	10-1/2	7-1/2
SVFCOM40	4	15	5-1/4	6-13/16	4	12	9
SVFCOM52	5 x 2	12	3-1/4	5	3	9	6-3/4
SVFCOM53	5 x 3	13-1/2	4	6-1/16	3-1/2	10-1/2	8
SVFCOM54	5 x 4	15	4-1/4	7-5/16	4	12	9-1/2
SVFCOM50	5	16-1/2	5-1/2	8-5/8	4-1/2	13-1/2	11
SVFCOM62	6 x 2	12	2-11/16	5-1/2	3	9	7-1/4
SVFCOM63	6 x 3	13-1/2	3-1/8	6-9/16	3-1/2	10-1/2	8-1/2
SVFCOM64	6 x 4	15	4-1/4	7-13/16	4	12	10
SVFCOM65	6 x 5	16-1/2	5-1/16	9-1/8	4-1/2	13-1/2	11-1/2
SVFCOM60	6	18	5-3/4	10-5/16	5	15	12-7/8
SVFCOM84	8 x 4	17	4-3/4	8-13/16	4	13-1/2	11
SVFCOM86	8 x 6	20	6-5/16	11-5/16	5	16-1/2	13-7/8
SVFCOM80	8	23	7-11/16	13-7/8	6	19-1/2	17



SUBMITTAL: CAST IRON HUB & SPIGOT SOIL PIPE & FITTING SUBMITTAL

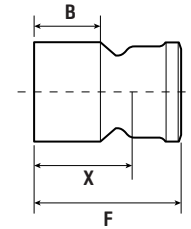
Welcome to the NewAge

12630 West Airport Blvd., Suite 100 • Sugar Land, Texas 77478 • Phone: 281.565.0928 • Fax: 281.565.0929 • Toll Free: 1-866.791.7055 • E-Mail: info@newagecasting.com



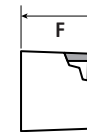
SANITARY TEE

PART#	SIZE	F	G	R	X	X*
SVFSTE20	2	10-1/2	6-1/4	2-1/2	8	2-3/4
SVFSTE32	3 x 2	11-3/4	7	3	9	4
SVFSTE30	3	12-3/4	7-1/2	3-1/2	10	4
SVFSTE42	4 x 2	12	7	3	9	4-1/2
SVFSTE43	4 x 3	13	7-1/2	3-1/2	10	4-1/2
SVFSTE40	4	14	8	4	11	4-1/2
SVFSTE54	5 x 4	14	8	4	11	5
SVFSTE50	5	15	8-1/2	4-1/2	12	5
SVFSTE62	6 x 2	12	7	3	9	5-1/2
SVFSTE63	6 x 3	13	7-1/2	3-1/2	10	5-1/2
SVFSTE64	6 x 4	14	8	4	11	5-1/2
SVFSTE60	6	16	9	5	13	5-1/2
SVFSTE84	8 x 4	16-1/2	9-3/4	4	13	6-1/2
SVFSTE86	8 x 6	18-1/2	10-3/4	5	15	6-1/2
SVFSTE80	8	20-1/2	11-3/4	6	17	6-5/8
SVFSTE104	10 x 4	16-1/2	9-3/4	4	13	7-1/2
SVFSTE106	10 x 6	18-1/2	10-3/4	5	15	7-1/2
SVFSTE108	10 x 8	20-1/2	11-3/4	6	17	7-5/8
SVFSTE110	10	22-1/2	12-3/4	7	19	7-5/8
SVFSTE126	12 x 6	20-3/4	12	5	16-1/2	8-1/2
SVFSTE128	12 x 8	22-3/4	13	6	18-1/2	8-5/8
SVFSTE120	12 x 10	24-3/4	14	7	20-1/2	8-5/8
SVFSTE122	12	26-3/4	15	8	22-1/2	8-3/4
SVFSTE150	15	29-3/4	16-1/2	9-1/2	25-1/2	10-1/4



REDUCER

PART#	SIZE	B	F	X
SVFRED32	3 x 2	4-1/2	9	6
SVFRED42	4 x 2	4-1/2	9	6
SVFRED43	4 x 3	4-1/2	9	6
SVFRED52	5 x 2	4-1/2	9	6
SVFRED53	5 x 3	4-1/2	9-1/2	6
SVFRED54	5 x 4	5-1/4	9-1/2	6-1/2
SVFRED62	6 x 2	5-1/4	9-1/2	6-1/2
SVFRED63	6 x 3	5-1/4	9-1/2	6-1/2
SVFRED64	6 x 4	5-1/4	10	6-1/2
SVFRED65	6 x 5	5-1/4	10	6-1/2
SVFRED84	8 x 4	5-1/4	9-1/2	6-1/2
SVFRED85	8 x 5	5-1/4	10	6-1/2
SVFRED86	8 x 6	5-1/4	10	6-1/2
SVFRED104	10 x 4	5-1/4	10-3/4	6-1/2



PIPE PLUG

PART#	SIZE	F
SVFPLG20	2	3-1/2
SVFPLG30	3	3-3/4
SVFPLG40	4	4
SVFPLG50	5	4
SVFPLG60	6	4
SVFPLG80	8	4-1/2
SVFPLG100	10	4-1/2
SVFPLG120	12	5-1/4
SVFPLG150	15	5-1/4



SUBMITTAL: CAST IRON HUB & SPIGOT SOIL PIPE & FITTING SUBMITTAL

Welcome to the NewAge

12630 West Airport Blvd., Suite 100 • Sugar Land, Texas 77478 • Phone: 281.565.0928 • Fax: 281.565.0929 • Toll Free: 1-866.791.7055 • E-Mail: info@newagecasting.com

GENERAL TERMS AND CONDITIONS

GENERAL

These terms and conditions shall control with respect to any purchase order or sale of Sellers products. No waiver, alteration or modification of these terms and conditions whether on Buyers purchase order or otherwise shall be valid unless the waiver, alteration, or modification is specifically accepted in writing and signed by an authorized representative of Seller.

DELIVERY

Seller will make any effort to complete delivery of products as indicated on Sellers acceptance of an order, but Seller assumes no responsibility or liability, and will accept no back charge, for loss or damage due to delay or inability to deliver caused by acts of God, war, labor difficulties, accident, delays of carriers, by contractors or suppliers, inability to obtain materials, shortages of fuel or energy, or any other causes of any kind whatsoever beyond the control of Seller. Seller may terminate any contract of sale of its products without liability of any nature, by written notice of Buyer, in the event that the delay in delivery or performance resulting from any of the aforesaid causes shall continue for a period of sixty (60) days. Under no circumstances shall Seller be liable for any special or consequential damages or for loss, damage, or expense [whether or not based on negligence] directly or indirectly arising from delays or failure to give notice of delay.

WARRANTY

Seller warrants for ten-years from the date of shipment Sellers manufactured products to the extent that Seller will replace those having defects in material or workmanship when used for the purpose and in the manner which Seller recommends. If Sellers examination shall disclose to its satisfaction that the product is defective, and an adjustment is required, the amount of such adjustment shall the not exceed the net sales price of the defective products only and no allowance will be made for labor or expense of repairing or replacing defective product or workmanship or damage resulting from the same. No adjustment shall be implemented unless product in question is returned to seller in its originally installed condition, still connected to other components of the joint. Buyer must contact Seller as quickly as possible so Seller can assess product in its installed condition. No claims will be honored unless claim is made within forty five (45) days of the defect being found. Where engineering design or fabrication work is supplied, Buyers acceptance of Sellers design or of delivery of work shall relieve Seller of all further obligation, other than expressed in Sellers product warranty. THIS IS SELLERS SOLE WARRANTY. SELLERS MAKES NO OTHER WARRANTY OF ANY KIND, EXPRESSED OR IMPLIED AND ALL IMPLIED WARRANTIES OF MERCHANTABILITY AND FITNESS FOR A PARTICULAR PURPOSE WHICH EXCEED SELLERS AFORESTATED OBLIGATION ARE HEREBY DISCLAIMED BY SLLER AND EXCLUDED FROM THIS WARRANTY. Seller neither assumes, nor authorizes any person to assume for it, any other obligation in connection with the sale of its engineering designs or product. This warranty shall not apply to any products or parts of products which [a] have been repaired or altered outside of Sellers factory, in any manner; [b] have been subjected to misuse, negligence or accidents; [c] have been used in a manner contrary to Sellers instructions or recommendations. Seller shall not be responsible for design errors due to inaccurate or incomplete information supplied by Buyer or its representatives. This warranty is non-transferable.

LIABILITY

Seller will not be liable for any loss, damage, cost of repairs, incidental or consequential damages of any kind, whether based upon warranty [except for the obligation accepted by Seller under warranty above], contract or negligence, arising in connection with the design, manufacture, sale, use or repair of the products or of the engineering designs supplied to Buyer.

RETURNS

Seller cannot accept return of any products unless its written permission has been first obtained, in which case same will be credited subject to the following: [a] All material returned must, on its arrival at Sellers plant, be found to be in first-class condition; if not, cost of putting in saleable condition will be deducted from credit memoranda; [b] A handling charge deduction of twenty five percent (25%) will be made from all credit memoranda issued for material returned; [c] transportation charges, if not prepaid will be deducted from credit memoranda.

SHIPMENTS

All products sent out will be carefully examined, counted, and packed. The cost of any special packing or special handling caused by Buyers requirements or request shall be added to the amount of the order. No claim for shortages will be allowed unless made in writing within ten (10) days of receipt of a shipment. Claims for products damaged or lost in transit should be made on the carrier, as Sellers responsibility ceases, and title passes, on delivery to the carrier.

PRODUCTS

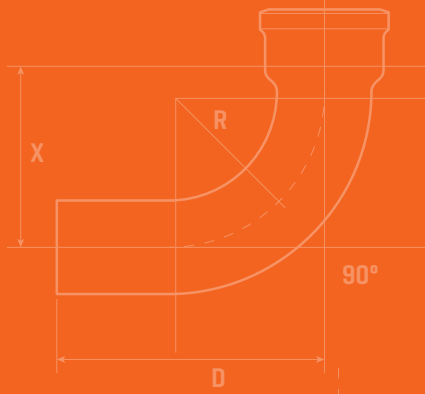
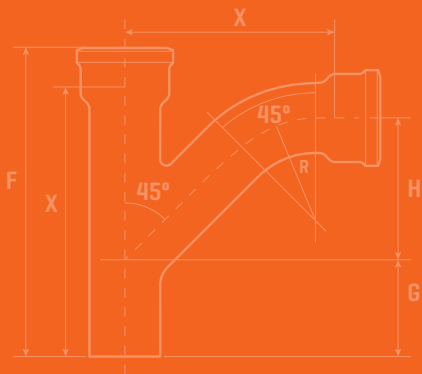
Orders covering special or non-standard products are not subject to cancellation except on such terms as Seller may specify on application.

PRICES

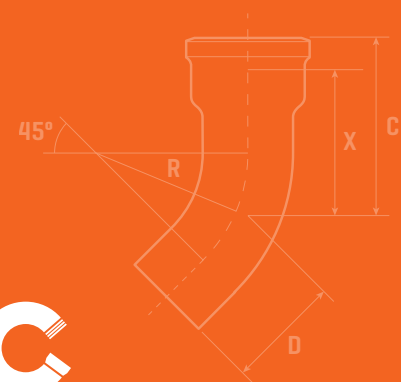
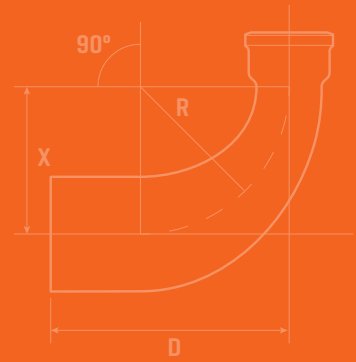
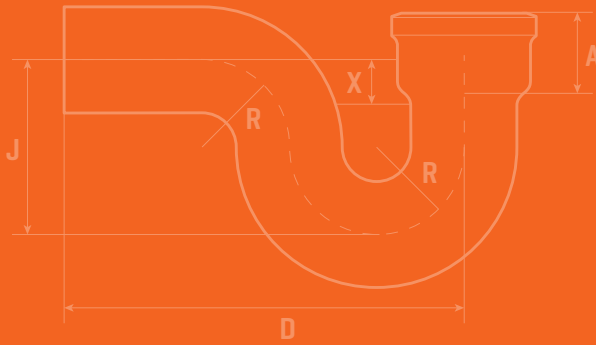
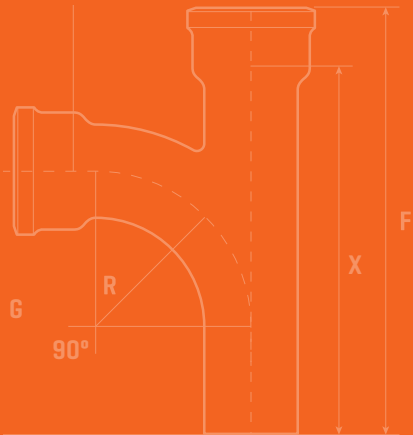
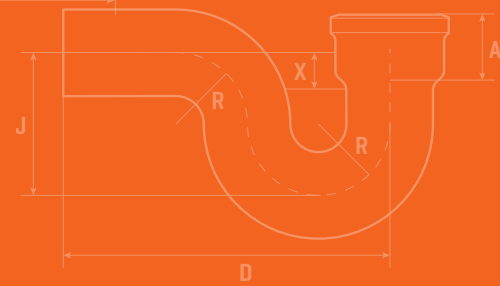
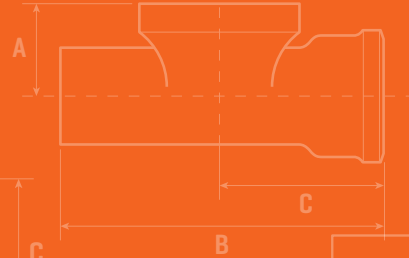
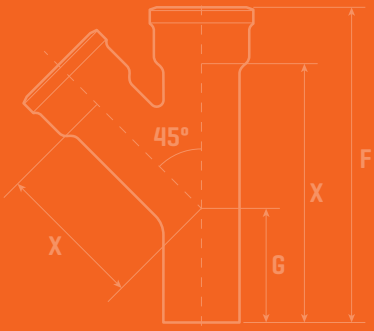
Prices and designs are subject to change without notice. All prices are F.O.B. Point of Shipment, unless otherwise stated.

TAXES

The amount of any sales, excise or other taxes, if any, applicable to the products covered by this order, shall be added to the purchased price and shall not be paid by Buyer unless buyer provides Seller with an exemption certificate acceptable to the taxing authorities.



Tapped Inlet



12630 West Airport Boulevard • Suite 100 • Sugar Land, TX 77478 • (866) 791-7055

www.NewAgeCasting.com

