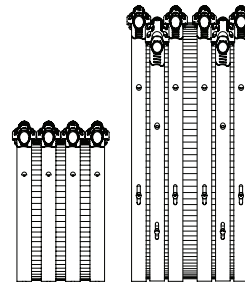


NEWAGE **EXTRA** HEAVY DUTY COUPLINGS SUBMITTAL

Certifications & Standards

- Meets ASTM C 1540
- Meets ASTM C 564
- Meets CSA B 602
- Products are IAPMO and CSA Listed



Material Specification

Screw Type 305 AISI Stainless Steel 3/8"

Shield Type 304 AISI Stainless steel, corrugated. Shield thickness 008"

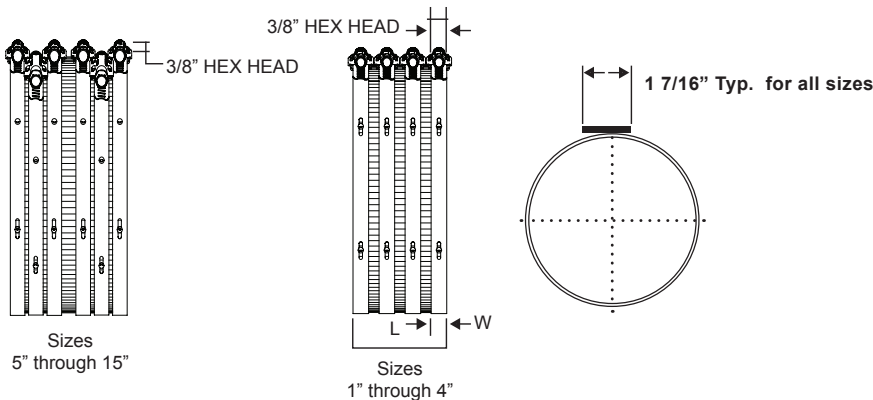
Bands Type 304 AISI Stainless Steel

Gasket Primary Elastomeric Polymer is Neoprene to meet ASTM C564

Screw housing Type 304 AISI stainless steel

Technical Specification

The NewAge Extra Heavy (XH) Duty Couplings compliment the NewAge Cast Iron Soil Pipe System. The NewAge XH Couplings are manufactured and tested to meet and exceed the ASTM C1540 standard. The gasket is made from properly vulcanized virgin elastomeric compound, where the primary material is polychloroprene (neoprene). The gasket is a one piece design tested to meet the physical requirements of ASTM C564. The corrugated shield is made from Type 304 stainless steel and provides a sturdy design which is to be installed with a pre-set torque wrench calibrated at 80 inch-pounds to accommodate the 3/8" hex head screws, four (1-1/2" through 4") and six (5" through 15") respectively. The stainless steel bands are of 3/4" wide with 304 stainless steel screw housing provides sealing torque. The couplings are tested to ASTM C1540 and are listed with IAPMO.



| Size | Width | No. of Bands | Torque |
|-------------|-------|--------------|-----------|
| 1 1/2" - 4" | 3.0" | 4 | 80 in-lbs |
| 5" & 6" | 4.0" | 6 | 80 in-lbs |
| 8" & 10" | 4.0" | 6 | 80 in-lbs |
| 12" & 15" | 5.5" | 6 | 80 in-lbs |