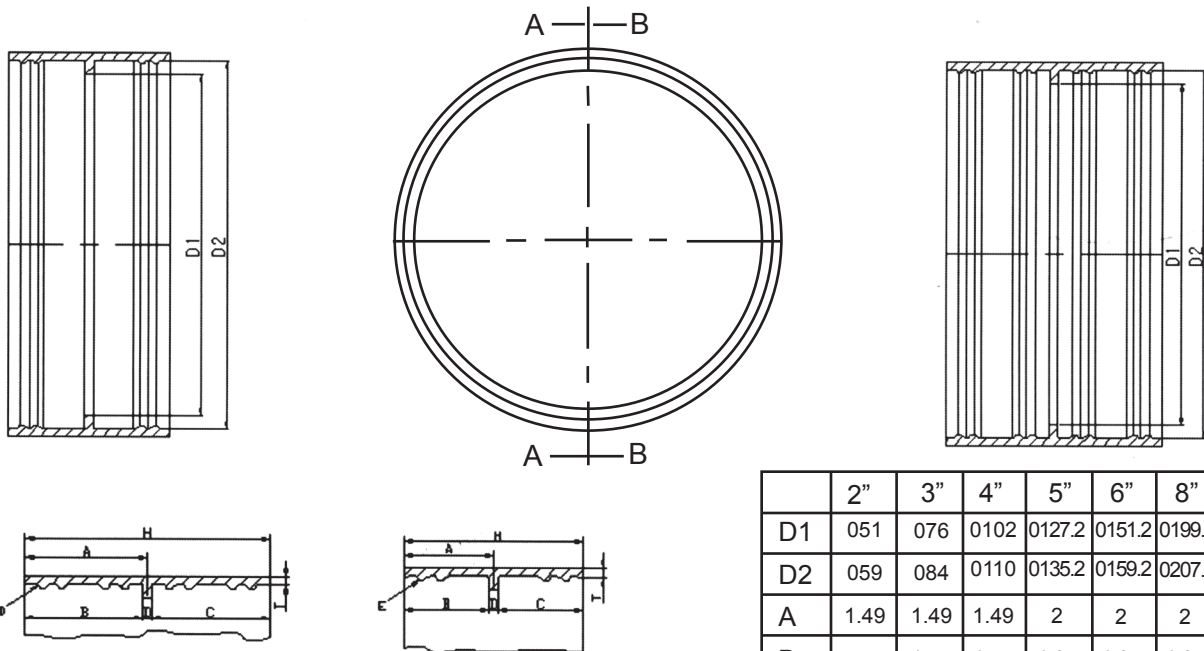


# Heavy Duty Couplings

**STANDARD** : Meet the requirement of

- ASTM C 1540
- Uniform Plumbing Code
- UPC certified, IAPMO listed



	2"	3"	4"	5"	6"	8"	10"
D1	051	076	0102	0127.2	0151.2	0199.8	0259.6
D2	059	084	0110	0135.2	0159.2	0207.8	0207.8
A	1.49	1.49	1.49	2	2	2	2
B	1.44	1.44	1.44	1.95	1.95	1.95	1.95
C	1.44	1.44	1.44	1.95	1.95	1.95	1.95
D	0.12	0.12	0.12	0.12	0.12	0.12	0.12
H	2.99	2.99	2.99	4.02	4.02	4.02	4.02
T	0.11	0.11	0.11	0.11	0.11	0.11	0.11

## NO-HUB GASKET PHYSICAL REQUIREMENTS

### Detail

**Material** : The gasket shall be fabricated from a compound containing high-quality neoprene as the sole elastomer.

**Physical Tests** : The test specimens shall be obtained from finished gaskets in conformance with ASTM D 15.

### NewAge Casting, Houston

3908 Westhollow Parkway  
Houston, TX 77082  
P. 281.606.1990 / F. 281.606.1993  
E-Mail: [info@newagecasting.com](mailto:info@newagecasting.com)

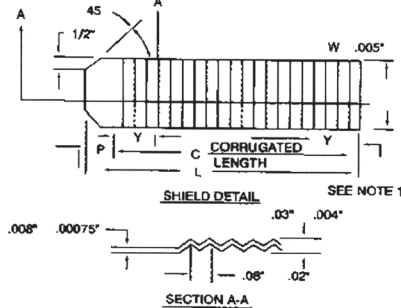
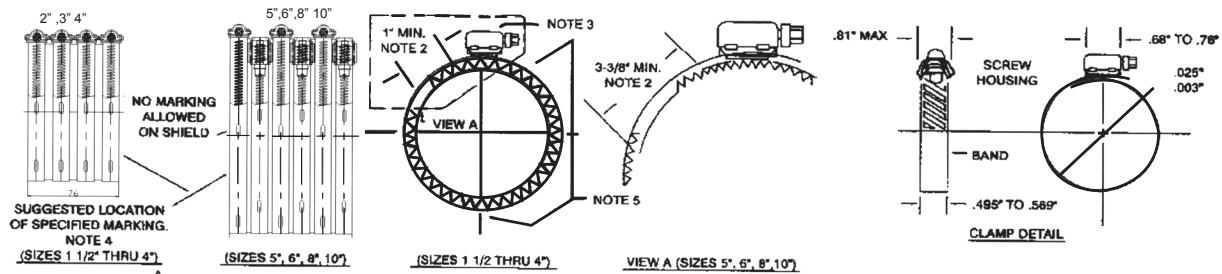
Toll Free: 866.791.7055

### New Age Casting, Los Angeles

12020 Rivera Rd.  
Santa Fe Springs, CA. 90670  
P. 562.945.6200 F: 562.945.6222  
E-Mail: [info@newagecasting.com](mailto:info@newagecasting.com)

# Tests

Test	Physical Tests Min. or Max. Requirements (ASTM C564)	ASTM Method
Tensile Strength	1500 psi min	D 412
Elongation	250 min.	D 412
Durometer(Shore A)	70 ± 5 @ 76° F ± 5° F	D 2240
Accelerated Aging	15% max.tensile and 20% max. elongation deterioration, 10 points max. increase in hardness, all determinations after oven aging for 96 hours at 158° F	D 573
Compression Set	15% max. after 22 hours at 158° F	D 395 Method B
Oil Immersion	80% max. volume change after immersion in ASTM oil no. 3 for 70 hours 212° F	D 471
Ozone Cracking	No visible cracking at 2 times magnification of the gasket after 100 hours exposure in 1.5 ppm ozone concentration at 100° F. Testing and inspection to be on gasket which is loop mounted to be give approximately 20% elongation of outer surface.	D 1149
Tear Resistance	Die C;150 lbs. min. per inch of thickness.	D 624
Water Absorption	20% max. by weight after 7 days at 158° F	D471



### Heavy-Duty Coupling

SIZE	Approximate Weight	Shield width	Shield thickness	Clamp width	Pcs/Ctn	Number of Clamps
2'	0.563	3.00"	0.016+/-0.001"	0.55"	75	4
3'	0.704	3.00"	0.016+/-0.001"	0.55"	48	4
4'	0.833	3.00"	0.016+/-0.001"	0.55"	48	4
5'	1.116	4.02"	0.016+/-0.001"	0.55"	15	6
6'	1.666	4.02"	0.016+/-0.001"	0.55"	15	6
8'	2.14	4.02"	0.016+/-0.001"	0.55"	15	6
10'	2.958	4.02"	0.016+/-0.001"	0.55"	10	6

### MATERIALS

BAND: TYPE 304 AISI Stainless Steel 0.55" wid  
 SCREW HOUSING : TYPE 304 AISI Stainless Steel  
 SCREW : TYPE 305 AISI Stainless Steel 5/16 Hex Head/Shoulder  
 SHIELD : TYPE 301 AISI Stainless Steel  
 GASKET : Physical properties of gaskets complied with specification C564  
 EYELETS/RIVETS : TYPE 304 AISI Stainless Steel

## Thrust or Displacement Forces Encountered in Hydrostatic Testing of Hubless Cast Iron Soil Pipe

Pipe Size, in.	Pressure, psi	1 1/2	2	3	4	5	6	8	10
HEAD, feet of water		Thrust, lb	Thrust, lb	Thrust, lb	Thrust, lb	Thrust, lb	Thrust, lb	Thrust, lb	Thrust, lb
10	4.3	12	19	38	65	95	134	237	377
20	8.7	25	38	77	131	192	271	480	762
30	13	37	56	115	196	287	405	717	1139
40	17.3	49	75	152	261	382	539	954	1515
50	21.7	62	94	191	327	479	676	1197	1900
60	26	74	113	229	392	574	810	1434	2277
70	30.3	86	132	267	457	668	944	1671	2654
80	34.7	99	151	306	523	765	1082	1714	3039
90	39	111	169	344	588	860	1216	2151	3416
100	43.4	123	188	382	654	957	1353	2394	3801
110	47.7	135	208	420	719	1052	1487	2631	4178
120	52	147	226	458	784	1147	1621	2868	4554
Area, OD in. <sup>2</sup>		2.84	4.34	8.81	15.07	22.06	31.17	55.15	87.58

Thrust = Pressure × Area

**CONCEPT** Used Universally in all types of construction, No-HUB pipe, fittings and couplings install quickly, absorb noise and vibration. Withstand deflection, and demonstrate corrosion resistance Space-saving. **NewAge** NO-HUB joints are particularly advantageous in compact installations and can be installed under as well as above ground. Pre-fabricated units install in a fraction of the time required for conventional **Drain, Water and Ventilation Systems**. The **NewAge** Heavy Duty coupling available in sizes 1 1/2" - 10" diameter.

### (1) NEOPRENE GASKET

Neoprene, a product of Dupont research, has been used successfully in the plumbing industry for over 35 years and is resistant to abrasion, oil, grease, chemicals, sun, weather, ozone, heat and cold. This gasket provides a cushioning element in the joint to absorb shock and vibration and assures a noiseless plumbing system.

### (2) 300 SERIES STAINLESS STEEL CLAMPS AND SHIELD ASSEMBLY.

Provides superior corrosion resistance in both above ground and underground installations.

## Recommended practice for installing NewAge No-Hub Heavy Duty Coupling

1. Pipe ends are to be cut as squarely and smoothly as possible.
2. Check coupling and gasket for foreign material, clean as necessary.
3. Insert gasket over pipe or fitting end until gasket butts against the internal molded shoulder.
4. Slide the clamp and shield assembly over the other pipe or fitting to be joined.
5. Insert the second pipe or fitting into gasket until both ends of pipe/fittings butt against the integrally molded shoulder in the center of the gasket.
6. Slide the clamp and shield assembly into position centered over the gasket. At this point, it is recommended to take the slack out of the clamp and shield. Assembly by pre-tightening the clamps with the wrench "hand tight."
7. Use a preset torque wrench or, preferably, a dial indicating type, and tighten clamps.
8. Coupling having four or six clamps should be tightened working from the inside clamps outward. Inner clamps are to be tightened alternately and firmly recommended torque. Then the adjoining clamps are tightened alternately and firmly to recommended torque. Finally the outside clamps are tightened firmly.

**NewAge Casting, Houston**

3908 Westhollow Parkway  
Houston, TX 77082  
P. 281.606.1990 / F. 281.606.1993  
E-Mail: info@newagecasting.com

**New Age Casting, Los Angeles**

12020 Rivera Rd.  
Santa Fe Springs, CA. 90670  
P. 562.945.6200 F: 562.945.6222  
E-Mail: info@newagecasting.com

Toll Free: 866.791.7055

## Description

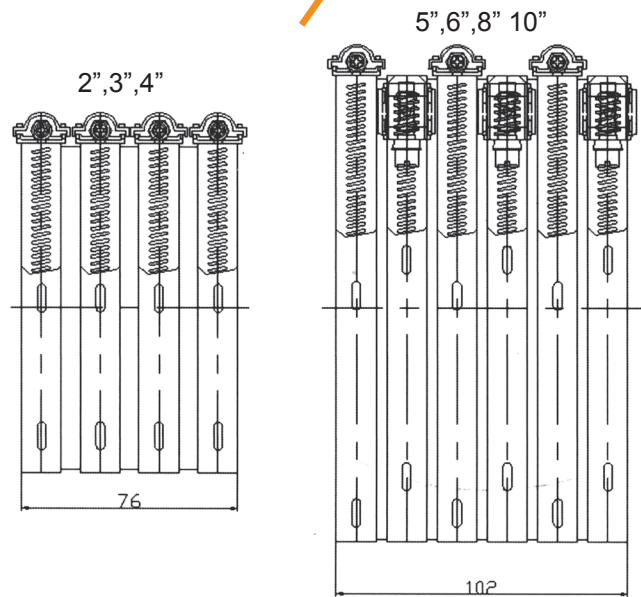
Couplings consist of gasket and shield assemblies. The shield assemblies have four or six clamps depending on size. The clamps are fastened with eyelets to the corrugated / diamond shield.

## Materials

Steels used in couplings are stainless steels. Eyelets, bands and housings are AISI 304. Screws is AISI 305 and shield is AISI 301. Gaskets are neoprene rubber.

## Specifications

Couplings comply with ASTM C564, ASTM C1540. Gaskets are made from an elastomeric compound that meets the requirements of ASTM C564.



## Dimensions & Tolerances (Inches) of Barrels for Hubless Pipe & Fittings

Size	Outside Diameter Barrel
1 · 1/2"	1.90 +/- .06
2"	2.35 +/- .09
3"	3.35 +/- .09
4"	4.38 +/- .09
5"	5.30 +/- .09
6"	6.30 +/- .09
8"	8.38 +/- .13
10"	10.56 +/- .09
12"	12.50 +/- .09
15"	15.83 +/- .09

Note : Outside Diameter Barrel - an out. of round tolerance of +/- .04 is permitted

## Heavy Duty No-Hub Couplings

Size	Installation Torque (inch · pounds)	No. of Clamps Per Coupling
2"	80	4
3"	80	4
4"	80	4
5"	80	6
6"	80	6
8"	80	6
10"	80	6

**NewAge - No HUB** Couplings are listed or certified by the Uniform Plumbing Code throughout the U.S. and Canada.

### NewAge Casting, Houston

3908 Westhollow Parkway  
Houston, TX 77082  
P. 281.606.1990 / F. 281.606.1993  
E-Mail: info@newagecasting.com

### NEW AGE CASTING, LOS ANGELES

12020 RIVERA RD.  
SANTA FE SPRINGS, CA. 90670  
P. 562.945.6200 F: 562.945.6222  
E-MAIL: INFO@NEWAGECASTING.COM

Toll Free: 866.791.7055