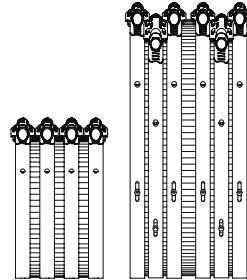


NEWAGE EPDM **EXTRA** HEAVY DUTY COUPLINGS SUBMITTAL

Certifications & Standards

- Meets ASTM C 1540 excluding gasket material
- Meets CSA B 602



Material Specification

Screw Type 305 AISI Stainless Steel 3/8"

Shield Type 304 AISI Stainless steel, corrugated. Shield thickness 008"

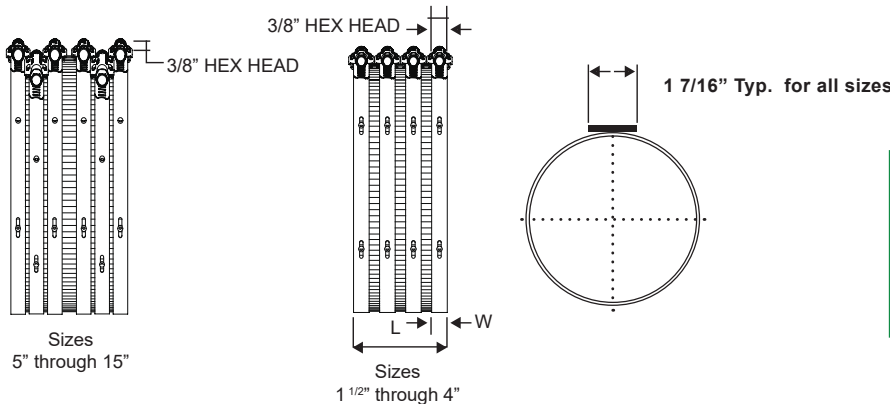
Bands Type 304 AISI Stainless Steel

Gasket Primary Elastomeric Polymer is EPDM

Screw housing Type 304 AISI stainless steel

Technical Specification

The NewAge EPDM Extra Heavy (XH) Duty Couplings compliment the NewAge Epoxy System. The NewAge EPDM XH Couplings are manufactured and tested to meet and exceed the ASTM C1540 excluding the gasket material portion of the standard. The gasket is made from ethylene propylene diene monomer and is a gasket of one piece design tested to meet the physical requirements of ASTM C564. The corrugated shield is made from Type 304 stainless steel and provides a sturdy design which is to be installed w/ a pre-set torque wrench calibrated at 80 inch-pounds to accommodate the 3/8" hex head screws, four (1-1/2" through 4") and six (5" through 15") respectively. The stainless steel bands of 3/4" width with 304 stainless steel screw housing provides sealing torque. The couplings are tested to ASTM C1540.



Size	Width	No. of Bands	Torque
1 1/2" - 4"	3.0"	4	80 in-lbs
5" & 6"	4.0"	6	80 in-lbs
8" & 10"	4.0"	6	80 in-lbs
12" & 15"	5.5"	6	80 in-lbs